



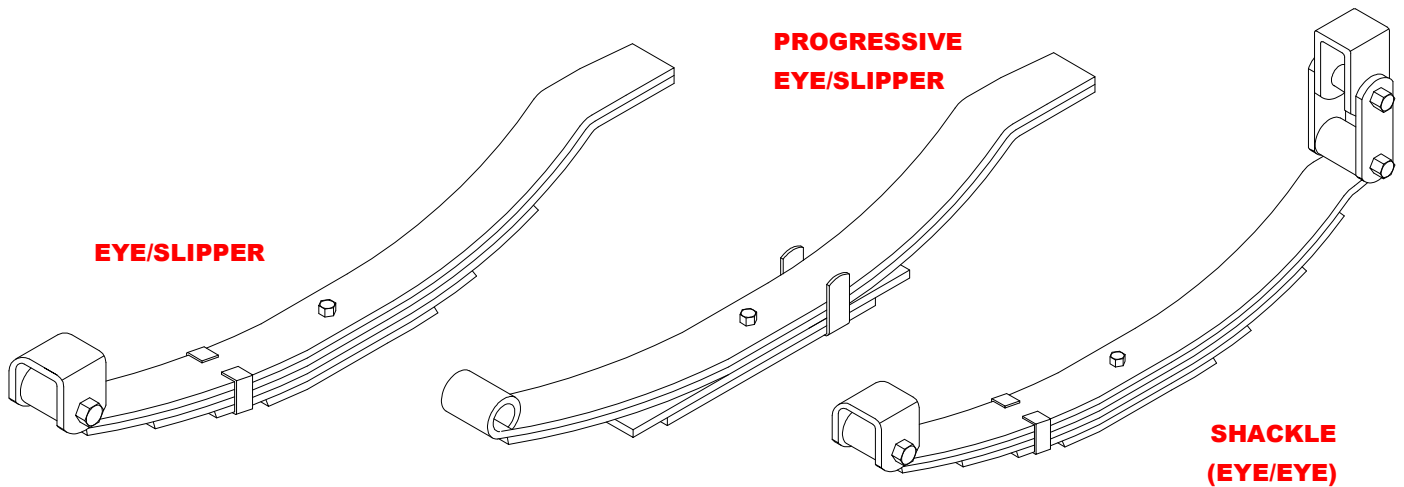
Rogers Axle & Spring Works Pty. Ltd

Phone: (07) 3271 1744
Fax: (07) 3271 1156

ABN 70 102 005 318

3 Antimony St. CAROLE PARK. Qld. 4300
P.O. BOX 91 MT. CROSBY. Qld. 4306

45 SERIES SPRINGS & FITTINGS



PRICE LIST

EFFECTIVE

1st March 2009

(GST to be added to prices shown)

Rogers Axle & Spring Works provide for O.E.M./Reseller discounts and are based on order quantity as follows:

SPRINGS	FITTINGS	FITTING KITS
1 - 10 - List price	1 - 10 - List price	1-3 - List less 30%
11 - 20 - List less 30%	11 - 20 - List less 30%	4-5 - List less 45%
21 - 99 - List less 45%	21 - 99 - List less 45%	6 plus - List less 50%
100 plus - List less 50%	100 plus - List less 50%	

Orders placed with a quantity of less than 50 springs and require packaging a \$15 pallet charge will be applicable.

Since Rogers Axle & Spring Works manufacture components "in house" we can supply springs to suit your individual requirements (minimum order quantity on specials - 200).

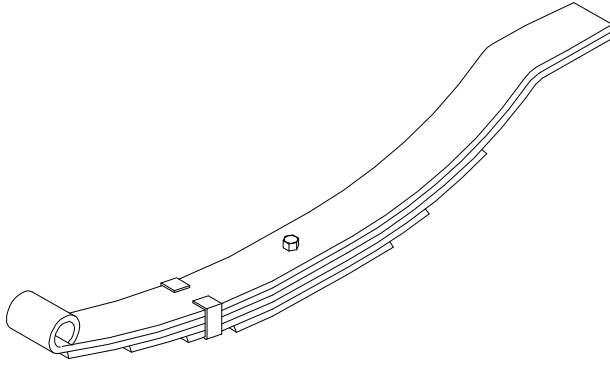
Order quantity for discount may comprise a mixture of spring types. Price basis is ex works Carole Park (Brisbane)

Order quantity for discount may comprise a mixture of fittings. Price basis is ex works Carole Park (Brisbane)

Rogers Axle & Spring Works Pty. Ltd. reserve the right to alter any specifications and/or pricing without notice.

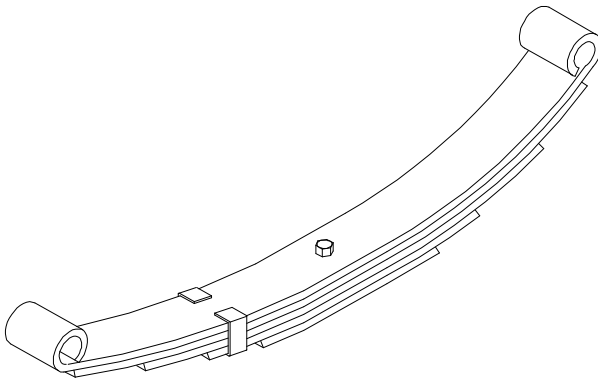
Rogers Axle & Spring Works Pty. Ltd. standard 'Terms & Conditions of Sale' apply.

BLACK SPRINGS



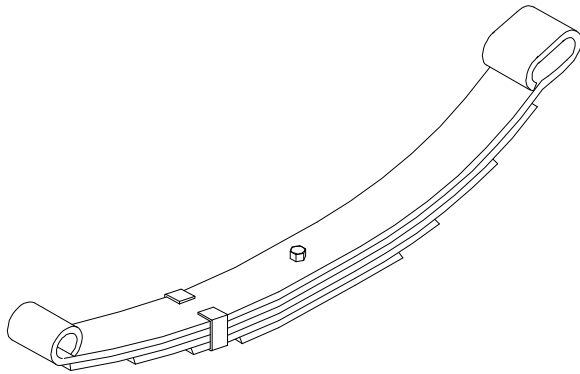
EYE/SLIPPER

PART NUMBER	DESCRIPTION	CAPACITY PER PAIR	PRICE (ea)	CODE
SPR 4010	45 X 8 X 1 LEAF		\$ 19.1	
SPR 4020	45 X 8 X 2 LEAF	700 KG	\$ 34.1	Q
SPR 4030	45 X 8 X 3 LEAF	850 KG	\$ 40.3	Q
SPR 4040	45 X 8 X 4 LEAF	1100 KG	\$ 50.5	Q
SPR 4050	45 X 8 X 5 LEAF	1300 KG	\$ 67.4	Q
SPR 4060	45 X 8 X 6 LEAF	1500 KG	\$ 79.3	Q
SPR 4070	45 X 8 X 7 LEAF	1700 KG	\$ 89.3	Q



SHACKLE SPRING

SPR 4110	45 X 8 MAIN LEAF		\$ 22.1	
SPR 4120	45 X 8 X 2 LEAF	700 KG	\$ 40.9	Q
SPR 4130	45 X 8 X 3 LEAF	850 KG	\$ 45.7	Q
SPR 4140	45 X 8 X 4 LEAF	1100 KG	\$ 58.2	Q
SPR 4142	45 X 8 X 4 LEAF (SHORT)	1300 KG	\$ 54.1	Q
SPR 4150	45 X 8 X 5 LEAF	1300 KG	\$ 71.3	Q
SPR 4152	45 X 8 X 5 LEAF (SHORT)	1500 KG	\$ 69.4	Q
SPR 4151	45 X 8 X 5 LEAF (OFFSET)	1300 KG	\$ 71.3	Q
SPR 4160	45 X 8 X 6 LEAF	1500 KG	\$ 82.7	Q
SPR 4161	45 X 8 X 6 LEAF (OFFSET)	1500 KG	\$ 82.7	Q
SPR 4180	45 X 8 X 8 LEAF	1700 KG	\$ 103.8	Q
SPR 4181	45 X 8 X 8 LEAF (OFFSET)	1700 KG	\$ 103.8	Q

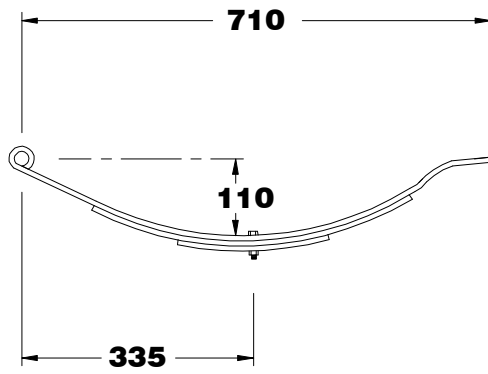


ROLLA EYE

SPR 4010RE	45 X 8 MAIN LEAF		\$ 22.1	
SPR 4040RE	45 X 8 X 4 LEAF	1100 KG	\$ 51.0	Q
SPR 4050RE	45 X 8 X 5 LEAF	1300 KG	\$ 70.0	Q

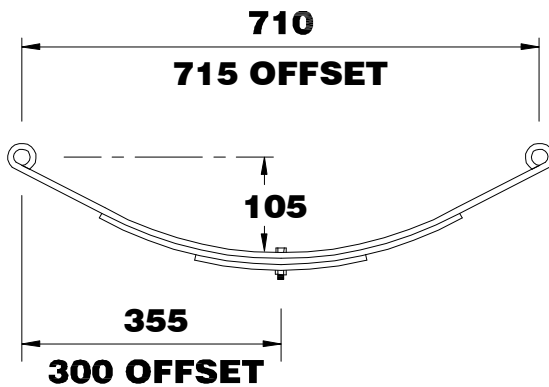
Spring capacities listed are per spring pair calculated using a U-bolt plate with a length of 100mm and thickness 10mm with each U-bolt leg tightened using double nuts and the axle placed above the spring. Consult Rogers' technical staff for capacities when axle is below the spring.

GALVANIZED SPRINGS



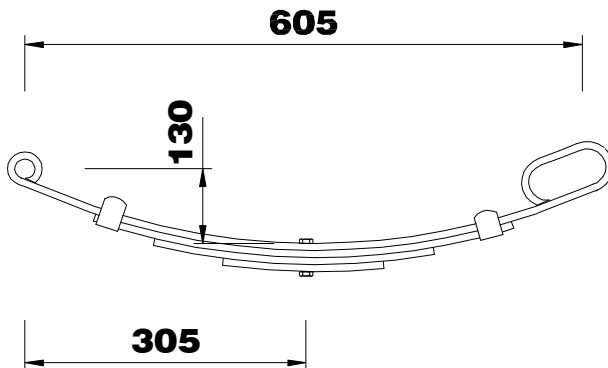
EYE/SLIPPER

PART NUMBER	DESCRIPTION	CAPACITY PER PAIR	PRICE (ea)	CODE
SPR 4010G	45 X 8 X 1 LEAF GALV		\$ 23.0	
SPR 4020G	45 X 8 X 2 LEAF GALV	700 KG	\$ 41.7	Q
SPR 4030G	45 X 8 X 3 LEAF GALV	850 KG	\$ 49.4	Q
SPR 4040G	45 X 8 X 4 LEAF GALV	1100 KG	\$ 62.5	Q
SPR 4050G	45 X 8 X 5 LEAF GALV	1300 KG	\$ 82.8	Q
SPR 4060G	45 X 8 X 6 LEAF GALV	1500 KG	\$ 98.4	Q
SPR 4070G	45 X 8 X 7 LEAF GALV	1700 KG	\$ 113.0	Q



SHACKLE SPRING

SPR 4110G	45 X 8 MAIN LEAF GALV		\$ 27.2	
SPR 4120G	45 X 8 X 2 LEAF GALV	700 KG	\$ 50.3	Q
SPR 4130G	45 X 8 X 3 LEAF GALV	850 KG	\$ 56.1	Q
SPR 4140G	45 X 8 X 4 LEAF GALV	1100 KG	\$ 72.2	Q
SPR 4142G	45 X 8 X 4 LEAF (SHORT) GALV	1300 KG	\$ 66.3	Q
SPR 4150G	45 X 8 X 5 LEAF GALV	1300 KG	\$ 86.8	Q
SPR 4152G	45 X 8 X 5 LEAF (SHORT) GALV	1500 KG	\$ 84.9	Q
SPR 4151G	45 X 8 X 5 LEAF (OFFSET) GALV	1300 KG	\$ 86.8	Q
SPR 4160G	45 X 8 X 6 LEAF GALV	1500 KG	\$ 101.3	Q
SPR 4161G	45 X 8 X 6 LEAF (OFFSET) GALV	1500 KG	\$ 101.3	Q
SPR 4180G	45 X 8 X 8 LEAF GALV	1700 KG	\$ 129.0	Q
SPR 4181G	45 X 8 X 8 LEAF (OFFSET) GALV	1700 KG	\$ 129.0	Q

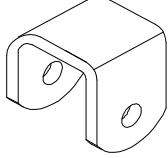
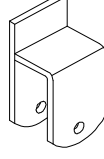
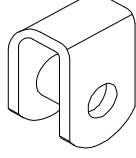
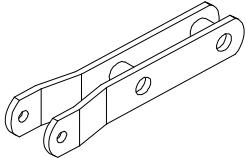
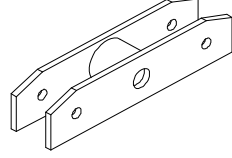
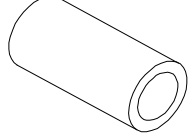
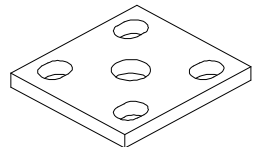
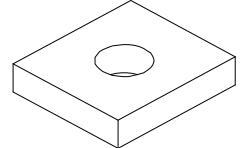
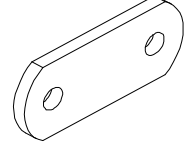
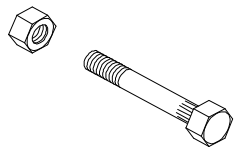


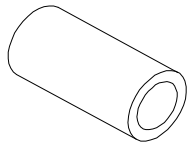
ROLLA EYE

SPR 4010REG	45 X 8 MAIN LEAF GALV		\$ 27.2	
SPR 4040REG	45 X 8 X 4 LEAF GALV	1100 KG	\$ 62.9	Q
SPR 4050REG	45 X 8 X 5 LEAF GALV	1300 KG	\$ 85.3	Q

Spring capacities listed are per spring pair calculated using a U-bolt plate with a length of 100mm and thickness 10mm with each U-bolt leg tightened using double nuts and the axle placed above the spring. Consult Rogers' technical staff for capacities when axle is below the spring.

SUSPENSION FITTINGS

PART NUMBER	DESCRIPTION	PRICE (ea)	CODE
			
COMSF400	45mm Perch	\$ 7.2	Q
			
COMSF401	45mm CENTRE PERCH SHORT	\$ 14.1	Q
COMSF401L	45mm CENTRE PERCH LONG	\$ 15.1	Q
COMSF401R	45mm CENTRE PERCH ROLLA ROCKER	\$ 14.6	Q
			
COMSF402	45mm DUMBJACK	\$ 19.1	Q
			
COMSF403	45mm ROCKER	\$ 35.8	Q
			
COMSF403RR	45mm ROCKER SUIT ROLLA ROCKER	\$ 54.4	Q
			
COMSF404R	45mm ROLLER SUIT ROLLA ROCKER	\$ 16.7	Q
			
COMSF405	45mm U-BOLT PLATE	\$ 5.9	Q
			
COMSF408	45mm AXLE PAD	\$ 2.7	Q
			
COMSF418	45mm SHACKLE PLATE	\$ 2.8	Q
			
COMSF420	45mm SHACKLE BOLT & NUT 9/16"	\$ 3.3	Q



GENBUSH01	45mm BUSH 7/8" x 1/2"	\$	1.1	Q
GENBUSH02	45mm BUSH 7/8" x 9/16"	\$	1.1	Q
GENBUSH03	45mm BUSH 7/8" x 5/8"	\$	1.1	Q
GENBUSH06	45mm ROLLA-ROCKER BUSH 1"x5/8"x60mm	\$	6.2	D

SUSPENSION FITTING KITS

RE1-4000	45mm SINGLE ROLLA ROCKER FITTING KIT	\$	68.4	Q
SF1-4000	45mm SINGLE SLIPPER FITTING KIT	\$	42.7	Q
SF1-4100	45mm SINGLE SHACKLE FITTING KIT	\$	70.5	Q
RE2-4000	45mm TANDEM ROLLA ROCKER FITTING KIT	\$	241.6	Q
SF2-4100S	45mm TANDEM SHACKLE FITTING KIT - SHORT	\$	189.5	Q
SF2-4100L	45mm TANDEM SHACKLE FITTING KIT - LONG	\$	191.0	Q
SF3-4100S	45mm TRIDEM SHACKLE FITTING KIT - SHORT	\$	304.7	Q
SF3-4100L	45mm TRIDEM SHACKLE FITTING KIT - LONG	\$	307.7	Q

FITTING KITS INCLUDE: HANGERS,ROCKERS,BUSHES,U-BOLT & SHACKLE PLATES,AXLE PADS,SHACKLE BOLTS & NUTS.
 FITTING KITS DO NOT INCLUDE U-BOLTS